

MODEL DC06

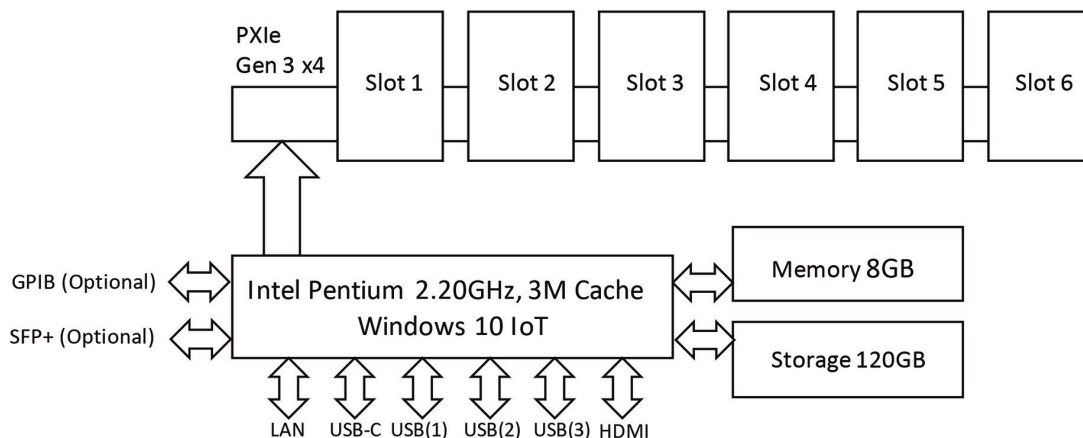
Dorf Desktop Chassis – 6 slot

PXle based chassis with embedded controller

The Dorf DC06 is a PXle based 6 slot Gen 3 x4 chassis, that supports the Dorf Sigen 425 Family of AWG's as well as any other PXle based equipment. The Chassis allows you to purchase any Dorf PXle module and later add or up-grade to more channels, higher sample rates or higher output power. The system includes an embedded PC with an internal SSD drive, HDMI connection, USB interfaces for a mouse and keyboard, as well as control using USB-C and 1000BASE-T LAN.

Flexibility with Connectivity

Modular PXle based systems such as the Dorf DC06 with embedded controllers makes it easy to configure and control an instrumentation system



GENERAL CHARACTERISTICS

Weight:	
Without Package	7.5 kg
Shipping Weight	9 kg
Dimensions:	
With feet	175 X 221 x 316 mm (W x H x D)
Without feet	175 X 235 x 316 mm (W x H x D)
Temperature:	
Operat ng	0°C to +40°C
Storage	-40°C to +70°C 15 minutes
Warm Up Time	15 minutes
Humidity:	
	85% RH, non-condensing
Safety:	
	CE Marked, EC61010-1:2010
EMC:	
	IEC 61326-1:2013

